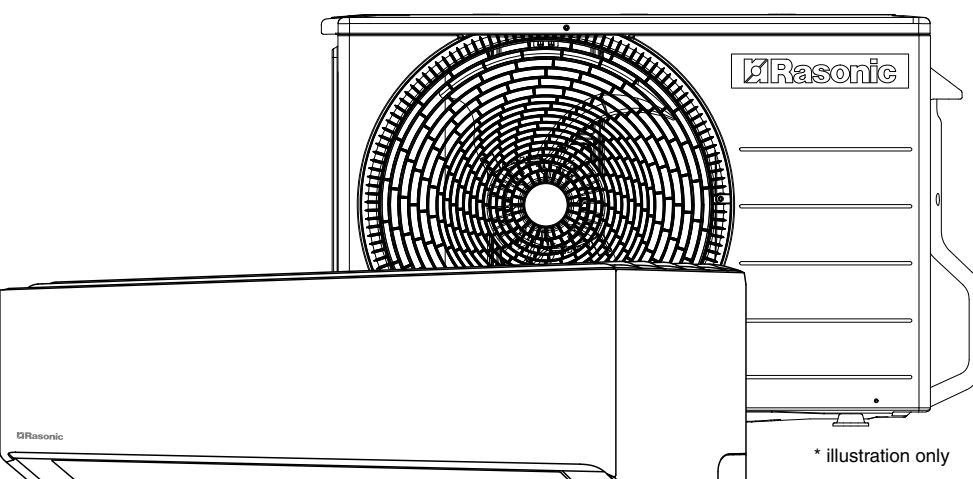


Installation Instruction

Air conditioner



MODEL NO : RS/RU-RZ18** (2.0HP)
RS/RU-RZ24** (2.5HP)

CAUTION R32 REFRIGERANT

This Air Conditioner contains and operates with refrigerant R32. THIS PRODUCT MUST ONLY BE INSTALLED OR SERVICED BY QUALIFIED PERSONNEL. Refer to National, State, Territory and local legislation, regulations, codes, installation & operation manuals, before the installation, maintenance and/or service of this product.

Rasonic will not be responsible for any incident or damage due to improper installation in anyway not described in the detailed manuals. Malfunction caused by incorrect installation is also not covered in product warranty.

Explanation of symbols displayed on the indoor unit or outdoor unit.

	WARNING	This symbol shows that this equipment uses a mildly flammable refrigerant. If the refrigerant is leaked, together with an external ignition source, there is a possibility of ignition.
	CAUTION	This symbol shows that the Installation Manual should be read carefully.
	CAUTION	This symbol shows that a service personnel should be handling this equipment with reference to the Installation Manual.
	CAUTION	This symbol shows that there is information included in the Operation Manual and/or Installation Manual.

This equipment must be properly earthed. Earth line must not be connected to gas pipe, water pipe, earth of lightning rod and telephone. Otherwise, it may cause electrical shock in case of equipment breakdown or insulation breakdown.

CAUTION

- Do not install the unit in a place where leakage of flammable gas may occur. In case gas leaks and accumulates at surrounding of the unit, it may cause fire.
- Prevent liquid or vapor from entering sinks or sewers since vapor is heavier than air and may form suffocating atmospheres.
- Do not release refrigerant during piping work for installation, re-installation and during repairing refrigeration parts. Take care of the liquid refrigerant, it may cause frostbite.
- Do not install this appliance in a laundry room or other location where water may drip from the ceiling, etc.
- Do not touch the sharp aluminium fin, sharp parts may cause injury.

- Carry out drainage piping as mentioned in installation instructions. If drainage is not perfect, water may enter the room and damage the furniture.
- Select an installation location which is easy for maintenance. Incorrect installation, service or repair of this air conditioner may increase the risk of rupture and this may result in loss damage or injury and/or property. For electrical work, follow the national regulation and legislation. Power supply connection to the room air conditioner. Use power supply cord 3 x 1.5 mm² (2.0HP), 3 x 2.5 mm² (2.5HP) type designation 60245 IEC 57 or heavier cord. Connect the power supply cord to the mains using one of the following method. Power supply point should be in easily accessible place for power disconnection in case of emergency. In some countries, permanent connection of this air conditioner to the power supply is prohibited.
 - Power supply connection to the receptacle using power plug.
 - Use an approved 16 A (2.0HP) or 20 A (2.5HP) power plug with earth pin for the connection to the socket.
- Power supply connection to a circuit breaker with the following conditions.
 - Use an approved 16 A (2.0HP) or 20 A (2.5HP) circuit breaker for the permanent connection. It must be a double pole switch with a minimum 3.0 mm contact gap.
 - Installation work. It may need two people to carry out the installation work.
 - Keep any required ventilation openings clear of obstruction.

PRECAUTION FOR USING R32 REFRIGERANT

Pay careful attention to the following points and the installation work procedures.

WARNING

- The appliance shall be stored, installed and operated in a well ventilated room with indoor floor area larger than A_{in} (m²) [refer Table A] and without any continuously operating ignition source. Keep away from open flames, any operating gas appliances or any operating electric heater. Else, it may explode and cause injury or death.
- The mixing of different refrigerants within a system is prohibited. Models that use refrigerant R32 and R410A have a different charging port thread diameter to prevent erroneous charging with refrigerant R22 and for safety. Therefore, check beforehand. (The charging port thread diameter for R32 and R410A is 12.7 mm (1/2 inch).)
- Ensure that foreign matter (oil, water, etc.) does not enter the piping. Also, when storing the piping, securely seal the opening by pinching, taping, etc. (Handling of R32 is similar to R410A.)
- Operation, maintenance, repairing and refrigerant recovery should be carried out by trained and certified personnel in the use of flammable refrigerants and as recommended by the manufacturer. Any personnel conducting an operation, servicing or maintenance on a system or associated parts of the equipment should be trained and certified.
- Any part of refrigerating circuit (evaporators, air coolers, AHU, condensers or liquid receivers) or piping should not be located in the proximity of heat sources, open flames, operating gas appliance or an operating electric heater.
- The user/owner or their authorized representative shall regularly check the alarms, mechanical ventilation and detectors, at least once a year, where as required by national regulations, to ensure their correct functioning.
- A logbook shall be maintained. The results of these checks shall be recorded in the logbook.
- In case of ventilations in occupied spaces shall be checked to confirm no obstruction.
- Before a new refrigerating system is put into service, the person responsible for placing the system in operation should ensure that trained and certified operating personnel are instructed on the basis of the instruction manual about the construction, supervision, operation and maintenance of the refrigerating system, as well as the safety measures to be observed, and the properties and handling of the refrigerant used.
- The general requirement of trained and certified personnel are indicated as below:
 - Knowledge of legislation, regulations and standards relating to flammable refrigerants; and,
 - Detailed knowledge of and skills in handling flammable refrigerants, personal protective equipment, refrigerant leakage prevention, handling of cylinders, charging, leak detection, recovery and disposal; and,
 - Able to understand and to apply in practice the requirements in the national legislation, regulations and Standards; and,
 - Continuously undergo regular and further training to maintain this expertise.
- Air-conditioner piping in the occupied space shall be installed in such a way to protect against accidental damage in operation and service.
- Precautions shall be taken to avoid excessive vibration or pulsation to refrigerating piping.
- Ensure protection devices, refrigerating piping and fittings are well protected against adverse environmental effects (such as the danger of water collecting and freezing in relief pipes or the accumulation of dirt and debris).
- Expansion and contraction of long runs piping in refrigerating systems shall be designed and installed securely (mounted and guarded) to minimize the likelihood of hydraulic shock damaging the system.
- Protect the refrigerating system from accidental damage due to moving furniture or reconstruction activities.
- To ensure no leaking, field-made refrigerant joints indoors shall be tightness tested. The test method shall have a sensitivity of 5 grams per year of refrigerant or better under a pressure of at least 0.25 times the maximum allowable pressure (1.04 MPa, max 4.15 MPa). No leak shall be detected.

2-10. Checks to electrical devices

- Repair and maintenance to electrical components shall include initial safety checks and component inspection procedures.
- Initial safety check shall include but not limit to:
 - That capacitors are discharged; this shall be done in a safe manner to avoid possibility of sparking.
 - That there is no live electrical components and wiring are exposed while charging, recovering or purging the system.
 - That there is continuity of earth bonding.
- At all times the manufacturer's maintenance and service guidelines shall be followed.
- If in doubt consult the manufacturer's technical department for assistance.
- If a fault exists that could compromise safety, then no electrical supply shall be connected to the circuit until it is satisfactorily repaired with.
- If the fault cannot be corrected immediately but it is necessary to continue operation, an adequate temporary solution shall be used.
- The owner of the equipment must be informed or reported so all parties are advised thereafter.

3. Repairs to sealed components

- During repairs to sealed components, all electrical supplies shall be disconnected from the equipment being worked upon prior to any removal of sealed covers, etc.
- If it is absolutely necessary to have an electrical supply to equipment during servicing, then a permanently operating form of leak detection shall be located at the most critical point to warn of a potentially hazardous situation.
- Particular attention shall be paid to the following to ensure that by working on electrical components, the casing is not altered in such a way that the level of protection is affected. This shall include damage to cables, excessive number of connections, terminals not made to original specification, damage to seals, incorrect fitting of glands, etc.
- Ensure that apparatus is mounted securely.
- Ensure that seals or sealing materials have not degraded such that they no longer serve the purpose of preventing the ingress of flammable atmospheres.
- Replacement parts shall be in accordance with the manufacturer's specifications.

NOTE: - The use of silicon sealant may inhibit the effectiveness of some types of leak detection equipment.
- Intrinsically safe components do not have to be isolated prior to working on them.

4. Repair to intrinsically safe components

- Do not apply any permanent inductive or capacitance loads to the circuit without ensuring that this will not exceed the permissible voltage and current permitted for equipment in the system.
- Intrinsically safe components are the only types that can be worked on while live in the presence of a flammable atmosphere.
- The test apparatus shall be at the correct rating.
- Replace components only with parts specified by the manufacturer. Unspecified parts by manufacturer may result ignition of refrigerant in the atmosphere from a leak.

5. Cabling

- Check that cabling will not be subject to wear, corrosion, excessive pressure, vibration, sharp edges or any other adverse environmental effects.
- The check shall also take into account the effects of aging or continual vibration from sources such as compressors or fans.

6. Detection of refrigerant leaks

- Under no circumstances shall potential sources of ignition be used in the searching or detection of refrigerant leaks.
- A handle (hook or any other detector using a naked flame) shall not be used.
- The following leak detection methods are deemed acceptable for all refrigerant systems.
 - No leaks shall be detected when using detection equipment with a sensitivity of 5 grams per year of refrigerant or better under a pressure of at least 0.25 times the maximum allowable pressure (>1.04 MPa, max 4.15 MPa) for example, a universal sniffer.
 - Electronic leak detectors may be used to detect flammable refrigerants, but the sensitivity may not be adequate, or may need re-calibration. (Detection equipment shall be calibrated in a refrigerant-free area.)
- Ensure that the detector is not a potential source of ignition and is suitable for the refrigerant used.
- Leak detection equipment shall be set at a percentage of the LFL of the refrigerant and shall be calibrated to the refrigerant employed and the appropriate percentage of gas (25 % maximum) is confirmed.
- Leak detection fluids are also suitable for use with most refrigerants, for example, bubble method and fluorescent method agents. The use of detergents containing chlorine shall be avoided as the chlorine may react with the refrigerant and corrode the copper pipe-work.
- If a leak is suspected, all naked flames shall be removed/extinguished.
- If a leakage of refrigerant is found which requires brazing, all of the refrigerant shall be recovered from the system, or isolated (by means of shut off valves) in a part of the system remote from the leak. The precautions in #7 must be followed to remove the refrigerant.

7. Removal and evacuation

- When breaking into the refrigerant circuit to make repairs - or for any other purpose - conventional procedures shall be used. However, it is important that best practice is followed since flammability is a consideration. The following procedure shall be adhered to:
 - Remove refrigerant -> purge the circuit with inert gas -> evacuate -> purge with inert gas -> open the circuit (venting or brazing)
- The refrigerant charge shall be recovered into the correct recovery cylinders.
- The system shall be purged with OFN to render the appliance safe. (remark: OFN = oxygen free nitrogen, type of inert gas)
- This process may need to be repeated several times.
- Compressed air or oxygen shall not be used for this task.
- Purging shall be achieved by breaking the vacuum in the system with OFN and continuing to fill until the working pressure is achieved, then venting to atmosphere, and finally pulling down to a vacuum.
- This process shall be repeated until no refrigerant is within the system.
- When the final OFN charge is used, the system shall be vented down to atmospheric pressure to enable work to take place.
- This operation is absolutely vital if brazing operations on the pipe work are to take place.
- Ensure that the outlet for the vacuum pump is not close to any potential ignition sources and there is ventilation available.

SAFETY PRECAUTIONS

- Read the following "SAFETY PRECAUTIONS" carefully before installation.
- Electrical work must be installed by a licensed electrician. Be sure to use the correct rating of the power plug and main circuit for the installation.
- The caution items stated here must be followed because these important contents are related to safety. The meaning of each indication used is as below. Incorrect installation due to ignoring of the instruction will cause harm or damage, and the seriousness is classified by the following indications.

	WARNING	This indication shows the possibility of causing death or serious injury.	The items to be followed are classified by symbols:		Symbol with white background denotes item that is PROHIBITED.
	CAUTION	This indication shows the possibility of causing injury or damage to properties only.			Symbol with dark background denotes item that must be carried out.

- Carry out test running to confirm that no abnormally occurs after the installation. Then, explain to user the operation, care and maintenance as stated in instructions. Please remind the customer to keep the operating instructions for future reference.

If the equipment is transferred to a new user or delivered to a recycling plant, be sure also to hand over the manual.

WARNING

- Do not use means to accelerate the defrosting process or to clean, other than those recommended by the manufacturer. Any unit method or using incompatible material may cause product damage, burst and serious injury.
- Do not install outdoor unit near handrail of veranda. When installing air-conditioner unit on veranda of a high rise building, child may climb up to cause injury or fall.
- Do not use unspecified cord, modified cord, joint cord or extension cord for power supply cord. Do not share the single outlet with other electrical appliances. Poor contact, poor insulation or over current will cause electrical shock or fire.
- Do not tie up the power supply cord into a bundle by hand.
- Abnormal temperature rise on power supply cord may happen.
- Do not insert your fingers or other objects into the unit, high speed rotating fan may cause injury.
- Do not sit or step on the unit, you may fall down accidentally.
- Keep plastic bag (packaging material) away from small children, it may cling to nose and mouth and prevent breathing.
- When installing or relocating air conditioner, do not let any substance other than the specified refrigerant, eg air etc mix into refrigeration cycle (pipings). Mixing of air etc. will cause abnormal high pressure in refrigeration cycle and result in explosion, injury etc.
- Do not pierce or burn as the appliance is pressurized. Do not expose the appliance to heat, flame, sparks, or other sources of ignition. Else, it may explode and cause injury or death.
- Do not add or replace refrigerant other than specified type. It may cause product damage, burst and injury etc.

- For R32/R410A model, use piping, flare nut and tools which is specified for R32/R410A refrigerant. Using of existing (R22) piping, flare nut and tools may cause abnormally high pressure in the refrigerant cycle (pipings), and possibly result in explosion and injury. For R32 and R410A, the same flare nut on the outdoor unit side and pipe can be used.
- Since the working pressure for R32/R410A is higher than that of refrigerant R22 model, replacing conventional piping and flare nuts on the outdoor unit side are recommended.
- If reuse piping is unavoidable, refer to instruction "IN CASE OF REUSING EXISTING REFRIGERANT PIPING"
- Thickness of copper pipes used with R32/R410A must be more than 0.8 mm. Never use copper pipes thinner than 0.8 mm. It is desirable that the amount of residual oil less than 40 mg/10 m.
- Engage authorized dealer or specialist for installation.
- If installation done by the user is incorrect, it will cause water leakage, electrical shock or fire.
- For refrigeration system work, install according to this installation instructions strictly. If installation is defective, it will cause water leakage, electrical shock or fire.
- Use the attached accessories parts and specified parts for installation. Otherwise, it will cause the set to fall, water leakage, fire or electrical shock.
- Install at a strong and firm location which is able to withstand weight of the set. If the strength is not enough or installation is not properly done, the set will drop and cause injury.
- For electrical work, follow the national regulation, legislation and this installation instructions. An independent circuit and single outlet must be used. If electrical circuit capacity is not enough or defect found in the electrical work, it will cause electrical shock or fire.

- Do not use joint cable for indoor / outdoor connection cable. Use the specified indoor/outdoor connection cable, refer to instruction 5. **CONNECT THE CABLE TO THE INDOOR UNIT** and connect tightly for indoor/outdoor connection. Clamp the cable so that no external force will have impact on the terminal. If connection or fixing is not perfect, it will cause heat up or fire at the connection.
- Wire routing must be properly arranged so that control board cover is fixed properly. If control board cover is not fixed perfectly, it will cause fire or electrical shock.
- This equipment is strongly recommended to be installed with Earth Leakage Circuit Breaker (ELCB) or Residual Current Device (RCD), with sensitivity of 30 mA at 0.1 sec or less. Otherwise, it may cause electrical shock and fire in case of equipment breakdown or insulation breakdown.
- During installation, install the refrigerant piping properly before running the compressor. Operation of compressor without fixing refrigeration piping and valves at opened position will cause suck-in of air, abnormal high pressure in refrigeration cycle and result in explosion, injury etc.
- During pump down operation, stop the compressor before removing the refrigeration piping. Removal of refrigeration piping while compressor is operating and valves are opened will cause suck-in of air, abnormal high pressure in refrigeration cycle and result in explosion, injury etc.
- Tighten the flare nut with torque wrench according to specified method. If the flare nut is over-tightened, after a long period, the flare may break and cause refrigerant gas leakage.
- After completion of installation, confirm there is no leakage of refrigerant gas. It may generate toxic gas when the refrigerant contacts with fire.
- Ventilate if there is refrigerant gas leakage during operation. It may cause toxic gas when the refrigerant contacts with fire.
- Be aware that refrigerants may not contain an odour.

CAUTION

- General
 - Must ensure the installation of pipe-work shall be kept to a minimum. Avoid use dented pipe and do not allow acute bending.
 - Must ensure that pipe-work shall be protected from physical damage.
 - Must comply with national gas regulations, state municipal rules and legislation.
 - Notify relevant authorities in accordance with all applicable regulations.
 - Must ensure mechanical connections be accessible for maintenance purposes.
 - In cases that require mechanical ventilation, ventilation openings shall be kept clear of obstruction.
 - When disposal of the refrigerating system, the precautions in #1 and comply with national regulations.
 - In case of field charge, the effect on refrigerant charge caused by the different pipe length has to be quantified, measured and labelled. Always contact local municipal offices for proper handling.
 - Ensure the actual refrigerant charge is in accordance with the room size within which the refrigerant containing parts are installed.
 - Ensure refrigerant charge not to leak.
 - Use appropriate protective equipment, including respiratory protection, as conditions warrant.
 - Keep all sources of ignition and hot metal surfaces away.

2. Servicing

- 2-1. Qualification of workers
 - Any qualified person who is involved with working on or breaking into a refrigerant circuit should hold a current valid certificate from an industry-accredited assessment authority, which authorizes their competence to handle refrigerants safely in accordance with an industry recognized assessment specification.
 - Servicing shall only be performed as recommended by the equipment manufacturer. Maintenance and repair requiring the assistance of other skilled personnel shall be carried out under the supervision of the person competent in the use of flammable refrigerants.
 - Servicing shall be performed only as recommended by the manufacturer.
 - The system is inspected, regularly supervised and maintained by a trained and certified service personnel who is employed by the person user or party responsible.
- 2-2. Checks to the area
 - Prior to beginning work on systems containing flammable refrigerants, safety checks are necessary to ensure that the risk of ignition is minimised.
 - For repairs to the refrigerating system, the precautions in #2-3 to #2-7 must be followed before conducting work on the system.
- 2-3. Work procedure
 - Work shall be undertaken under a controlled procedure so as to minimize the risk of a flammable gas or vapour being present while the work is being performed.
- 2-4. General work area
 - All maintenance staff and others working in the local area shall be instructed and supervised on the nature of work being carried out.
 - Avoid working in confined spaces. Always ensure away from source, at least 2 meter of safety distance, or zoning of free space area at least 2 meter in radius.
- 2-5. Checking for presence of refrigerant
 - The area shall be checked with an appropriate refrigerant detector prior to and during work, to ensure the technician is aware of potentially flammable atmospheres.
 - Ensure that the leak detection equipment being used is suitable for use with flammable refrigerants, i.e. non sparking, adequately sealed or intrinsically safe.
 - In case of leakage/spillage happened, immediately ventilate area and stay upwind and away from spill/release.
 - In case of leakage/spillage happened, do not notify persons down wind of the leaking/spill, isolate immediate hazard area and keep unauthorized personnel out.
- 2-6. Presence of fire extinguisher
 - Any hot work to be conducted on the refrigerating equipment or any associated parts, appropriate fire extinguishing equipment shall be available at hand.
 - Have a dry powder or CO₂ fire extinguisher adjacent to the charging area.
- 2-7. No ignition sources
 - No person carrying out work in relation to a refrigerating system which involves exposing any pipe work that contains or has contained flammable refrigerant shall use any sources of ignition in such a manner that it may lead to the risk of fire or explosion. He/She must not be smoking when carrying out such work.
 - All possible ignition sources, including cigarette smoking, should be kept sufficiently far away from the site of installation, repairing, removing and disposal, during which flammable refrigerant can possibly be released to the surrounding space.
 - Prior to work taking place, the area around the equipment is to be surveyed to make sure that there are no flammable hazards or ignition sources.
 - "No Smoking" signs shall be displayed.
- 2-8. Ventilated area
 - Ensure that the area is in the open or that it is adequately ventilated before breaking into the system or conducting any hot work.
 - A degree of ventilation shall continue during the period that the work is carried out.
 - The venting shall safely dissipate any released refrigerant and preferably expel it externally into the atmosphere.
- 2-9. Checks to the refrigerating equipment
 - Where electrical components are being changed, they shall be fit for the purpose and to the correct specification.
 - At all times the manufacturer's maintenance and service guidelines shall be followed.
 - If in doubt consult the manufacturer's technical department for assistance.
 - The following checks shall be applied to installations using flammable refrigerants.
 - The actual refrigerant charge is in accordance with the room size within which the refrigerant containing parts are installed.
 - The ventilation machinery and outlets are operating adequately and are not obstructed.
 - If an indirect refrigerant circuit is being used, the secondary circuit shall be checked for the presence of refrigerant.
 - Marking to the equipment continues to be visible and legible. Markings and signs that are illegible shall be corrected.
 - Refrigerant pipe work or components are installed in a position where they are unlikely to be exposed to any substance which may corroded refrigerant containing components, unless the components are constructed of materials which are inherently resistant to being corroded or are properly protected against being so corroded.

8. Charging procedures

- In addition to conventional charging procedures, the following requirements shall be followed.
 - Ensure that contamination of different refrigerants does not occur when using charging equipment.
 - Hoses or lines shall be used to minimize the amount of refrigerant contained in them.
 - Cylinders shall be kept in an appropriate position according to the instructions.
 - Ensure that the refrigerating system is earthed prior to charging the system with refrigerant.
 - Label the system when charging is complete (if not already).
 - Extreme care shall be taken not to overfill the refrigerating system.
- Prior to recharging the system it shall be pressure tested with OFN (refer to #7).
- The system shall be leak tested on completion of charging but prior to commissioning.
- A follow up leak test should be carried out prior to leaving the site.
- Electrostatic charge may accumulate and create a hazardous condition when charging and discharging the refrigerant.
- To avoid fire or explosion, dissipate static electricity during transfer by grounding and bonding containers and equipment before charging/discharging.

9. Decommissioning

- Before carrying out this procedure, it is essential that the technician is completely familiar with the equipment and all its details.
- It is recommended good practice that all refrigerants are recovered safely.
- Prior to the task being carried out, an oil and refrigerant sample shall be taken in case analysis is required prior to re-use of recovered refrigerant.
- It is essential that electrical power is available before the task is commenced.
 - Become familiar with the equipment and its operation.
 - Isolate system electrically.
 - Before attempting the procedure ensure that:
 - mechanical handling equipment is available, if required, for handling refrigerant cylinders;
 - all personal protective equipment is available and being used correctly;
 - the recovery process is supervised at all times by a competent person;
 - recovery equipment and cylinders conform to the appropriate standards.

- Pump down refrigerant system, if possible.
 - If a vacuum is not possible, make a manifold so that refrigerant can be removed from various parts of the system.
 - Make sure that cylinder is situated on the scales before recovery takes place.
 - Start the recovery machine and operate in accordance with instructions.
 - Do not over fill cylinders. (No more than 80 % volume liquid charge).
 - Do not exceed the maximum working pressure of the cylinder, even temporarily.
 - When the cylinders are full or components are installed in a position where they are unlikely to be exposed to any substance which are removed from site promptly and all isolation valves on the equipment are closed off.
 - Recovered refrigerant shall not be charged into another refrigerating system unless it has been cleaned and checked.
- Electrostatic charge may accumulate and create a hazardous condition when charging or discharging the refrigerant.
 - To avoid fire or explosion, dissipate static electricity during transfer by grounding and bonding containers and equipment before charging/discharging.

10. Labelling

- Equipment shall be labelled stating that it has been de-commissioned and emptied of refrigerant.
- The label shall be dated and signed.
- Ensure that there are labels on the equipment stating the equipment contains flammable refrigerant.

11. Recovery

- When removing refrigerant from a system, either for servicing or decommissioning, it is recommended good practice that all refrigerants are removed safely.
- When transferring refrigerant into cylinders, ensure that only appropriate refrigerant recovery cylinders are employed.
- Ensure that the correct number of cylinders for holding the total system charge are available.
- All cylinders to be used are designated for the recovered refrigerant and labelled for that refrigerant (i.e. special cylinders for the recovery of refrigerant).
- Cylinders shall be complete with pressure relief valve and associated shut-off valves in good working order.
- Recovery cylinders should be evacuated if possible, before recovery occurs.
- The recovery equipment shall be in good working order with a set of instructions concerning the equipment that is at hand and shall be suitable for the recovery of concerning the equipment that is at hand and shall be suitable for the recovery of flammable refrigerant.
- In addition, a set of calibrated weighing scales shall be available and in good working order.
- Hoses shall be complete with leak-free disconnect couplings and in good condition.
- Hoses shall be complete with leak-free disconnect couplings and in good condition.
- Before using the recovery machine, check that it is in satisfactory working order, has been properly maintained and that any associated electrical components are sealed to prevent ignition in the event of a refrigerant release.
- Consult manufacturer if in doubt.
- The recovered refrigerant shall be returned to the refrigerant supplier in the correct recovery cylinder, and the relevant Waste Transfer Note arranged.
- Do not mix refrigerants in recovery units and especially not in cylinders.
- If compressors or compressor oils are to be removed, ensure that they have been evacuated to an acceptable level to make certain that flammable refrigerant does not remain within the lubricant.
- The evacuation process shall be carried out prior to returning the compressor to the suppliers.
- Only electric heating to the compressor body shall be employed to accelerate this process.
- When oil is drained from a system, it shall be carried out safely.

Required tools for Installation Works

1	Phillips screw driver	6	Pipe cutter	11	Thermometer	16	Torque wrench
2	Level gauge	7	Reamer	12	Megameter		18 N•m (1.8 kgf•m)
3	Electric drill, hole core drill (Ø70 mm)	8	Knife	13	Multimeter		42 N•m (4.3 kgf•m)
4	Hexagonal wrench (4 mm)	9	Gas leak detector	14	Vacuum pump		55 N•m (5.6 kgf•m)
5	Spanner	10	Measuring tape	15	Gauge manifold		65 N•m (6.6 kgf•m)
							100 N•m (10.2 kgf•m)

Attached accessories

No.	Accessories part	Qty.	No.	Accessories part	Qty.
1	Installation plate	1	6	Remote control holder fixing screw	2
2	Installation plate fixing screw	5	7	Drain elbow	1
3	Remote Control	1	8	Air purifier filter	1
4	Battery	2			
5	Remote control holder	1			

SELECT THE BEST LOCATION

INDOOR UNIT		OUTDOOR UNIT	
<input type="checkbox"/> Do not install the unit in excessive oil fume area such as kitchen, workshop and etc.	<input type="checkbox"/> If an awning is built over the unit to prevent direct sunlight or rain, be careful that heat radiation from the condenser is not obstructed.	<input type="checkbox"/> There should not be any natural or plant which could be affected by hot air discharged.	<input type="checkbox"/> Keep the spaces indicated by arrows from wall, ceiling, fence or other obstacles.
<input type="checkbox"/> A place where air circulation in the room is good.	<input type="checkbox"/> Do not place any obstacles which may cause a short circuit of the discharged air.	<input type="checkbox"/> If piping length is over the [piping length for additional gas], additional refrigerant should be added as shown in the (Table A).	
<input type="checkbox"/> A place where drainage can be easily done.			
<input type="checkbox"/> A place where noise prevention is taken into consideration.			
<input type="checkbox"/> Do not install the unit near the door way.			
<input type="checkbox"/> Ensure the spaces indicated by arrows from the wall, ceiling, fence or other obstacles.			
<input type="checkbox"/> Indoor unit of this air conditioner shall be installed in a height of at least 1.8 m.			

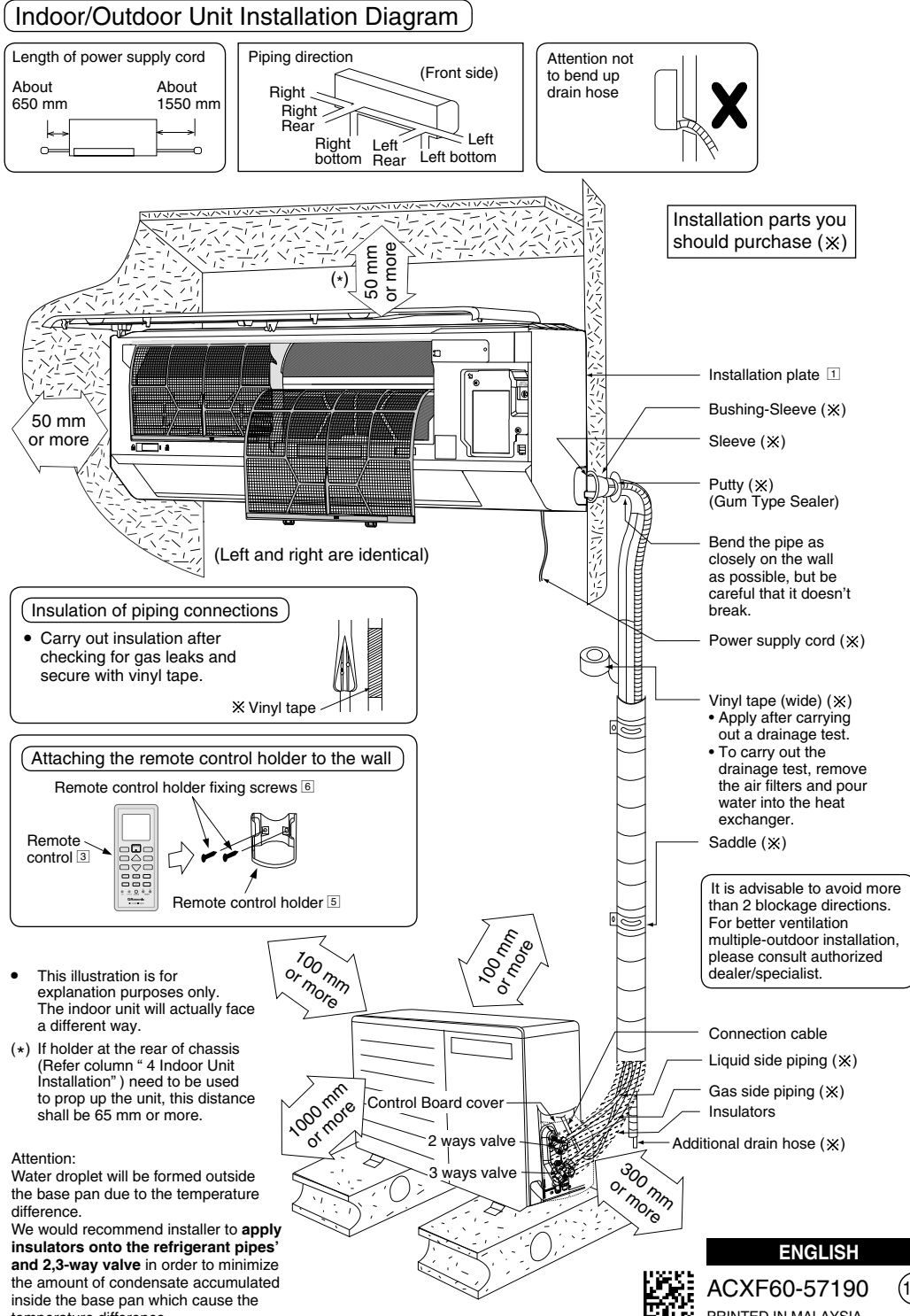
Model	Capacity W (HP)	Piping size Gas Liquid	Std. Length (m)	Max. Elevation (m)	Min. Piping Length (m)	Max. Piping Length (m)	Additional Refrigerant (g/m)	Piping Length for add. gas (m)	Max. Refrigerant Charge (kg)	A _{min} (m ²)
RZ18**	2.0HP	12.70 mm (1/2") 6.35 mm (1/4")	5	20	3	30	15	10	1.40	Not applicable
RZ24**	2.5HP	15.88 mm (5/8") 7.94 mm (3/8")	5	20	3	30	25	10	1.81	Not applicable (*)

Example: For RZ18**
If the unit is installed at 15 m piping distance,
the quantity of adding refrigerant should be
=> 15 m (distance) - 10 m (piping length for additional gas)
=> 5 m
=> 5 m x 15 g/m (additional Refrigerant) => **75 g**

(*) => Systems with total refrigerant charge, m_t lower than 1.8 kg are not subjected to any room area requirements.

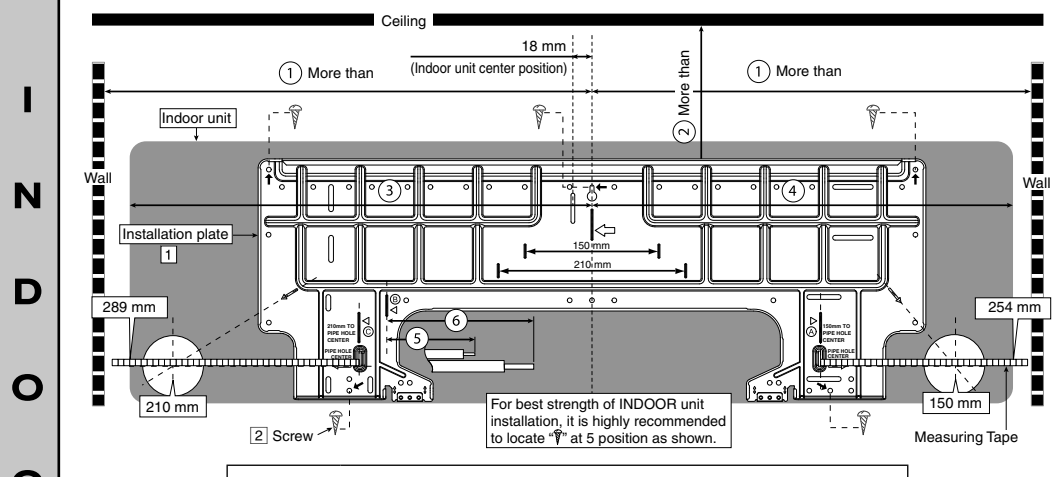
A_{min} = (m_t / (2.5 x LFL^{0.67} x h₀))² ** not less than safety factor margin
A_{min} = Required minimum room area, in m²
m_t = Refrigerant charge in appliance, in kg
LFL = Lower flammability limit (0.307 kg/m³)
h₀ = Installation height of the appliance : (1.8 m for wall mounted)
SF = Safety factor with a value of 0.75
** The required minimum room area, shall also be governed by the safety factor margin formula below:
A_{min} = m_t / (SF x LFL x h₀)
1.84 kg shall be taken when determining the room area.

Indoor/Outdoor Unit Installation Diagram



1 SELECT THE BEST LOCATION (Refer to "Select the best location" section)

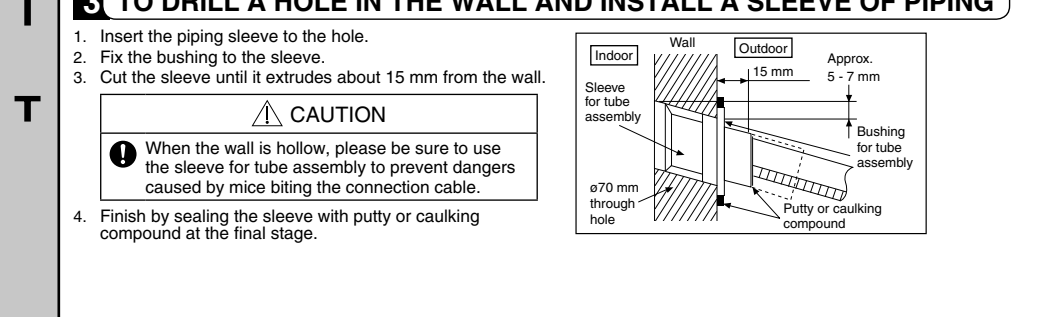
2 HOW TO FIX INSTALLATION PLATE



- The center of installation plate should be at more than ① at right and left of the wall.
- The distance from installation plate edge to ceiling should more than ②.
- From installation plate center to unit's left side is ③.
- From installation plate center to unit's right side is ④.
- For left side piping, piping connection for liquid should be about ⑤ from this line.
- For left side piping, piping connection for gas should be about ⑥ from this line.
- Alternatively, liquid and gas piping connection location reference is marked on installation plate.

- Mount the installation plate on the wall with 5 screws or more (at least 5 screws). (If mounting the unit on the concrete wall, consider using anchor bolts.)
- Always mount the installation plate horizontally by aligning the marking-off line with the thread and using a level gauge.
- Drill the piping plate hole with $\phi 70$ mm hole-core drill.
- Line according to the left and right side of the installation plate. The meeting point of the extended line is the center of the hole. Another method is by putting measuring tape at position as shown in the diagram above. The hole center is obtained by measuring the distance namely 210 mm for left and 150 mm for right hole respectively.
- Drill the piping hole at either the right or the left and the hole should be slightly slanting to the outdoor side.

3 TO DRILL A HOLE IN THE WALL AND INSTALL A SLEEVE OF PIPING



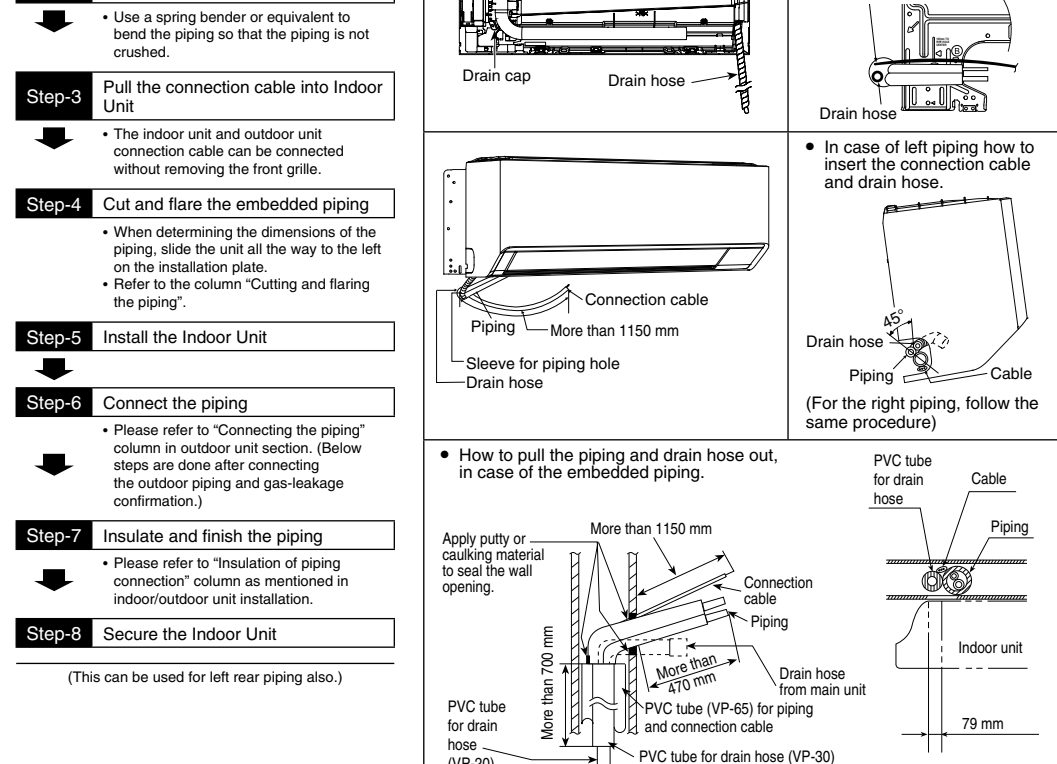
- Insert the piping sleeve to the hole.
- Fix the bushing to the sleeve.
- Cut the sleeve until it extrudes about 15 mm from the wall.

CAUTION

When the wall is hollow, please be sure to use the sleeve for tube assembly to prevent dangers caused by mice biting the connection cable.

- Finish by sealing the sleeve with putty or caulking compound at the final stage.

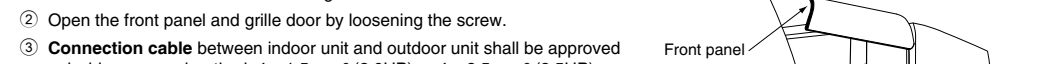
3. FOR THE EMBEDDED PIPING



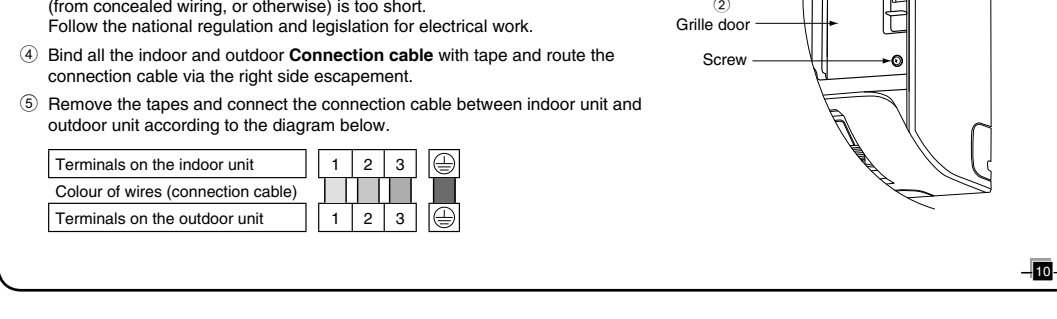
5 CONNECT THE CABLE TO THE INDOOR UNIT

The indoor and outdoor unit connection cable can be connected without removing the front grille.

- Install the indoor unit on the installing holder that mounted on the wall.
- Open the front panel and grille door by loosening the screw.
- Connection cable between indoor unit and outdoor unit shall be approved polychloroprene sheathed, 4 x 1.5 mm² (2.0HP) or 4 x 2.5 mm² (2.5HP) flexible cord, type designation 60245 IEC 57 or heavier cord.
- Do not use joint connection cable. Replace the wire if the existing wire (from concealed wiring, or otherwise) is too short.
- Follow the national regulation and legislation for electrical work.
- Bind all the indoor and outdoor Connection cable with tape and route the connection cable via the right side escapement.
- Remove the tapes and connect the connection cable between indoor unit and outdoor unit according to the diagram below.



4 INDOOR UNIT INSTALLATION

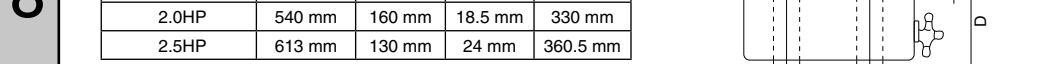


4 AIR PURGING METHOD IS PROHIBITED FOR R32 SYSTEM

4 AIR TIGHTNESS TEST ON THE REFRIGERATING SYSTEM

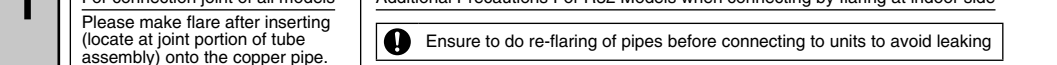
- Do not purge the air with refrigerants but use a vacuum pump to vacuum the installation.
- There is no extra refrigerant in the outdoor unit for air purging.

- Before system is charged with refrigerant and before the refrigerating system is put into operation, below site test procedure and acceptance criteria shall be verified by the certified technicians, and/or the installer.
- Be sure to check whole system for gas leakage.



5 CONNECT THE CABLE TO THE OUTDOOR UNIT

- Remove the control board cover from the unit by loosening the screw.
- Connection cable between indoor unit and outdoor unit shall be approved polychloroprene sheathed 4 x 1.5 mm² (2.0HP) or 4 x 2.5 mm² (2.5HP) flexible cord, type designation 60245 IEC 57 or heavier cord. Do not use joint connection cable. Replace the wire if the existing wire (from concealed wiring, or otherwise) is too short.
- Follow the national regulation and legislation for electrical work.



- Secure the cable onto the control board with the holder (clammer).
- Attach the control board cover back to the original position with screw.
- For wire stripping and connection requirement, refer to instruction of indoor unit.
- Earth wire shall be Yellow/Green (Y/G) in colour and longer than other AC wires for safety reason.

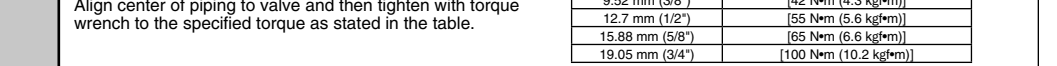
6 PIPING INSULATION

- Please carry out insulation at pipe connection portion as mentioned in Indoor/Outdoor Unit Installation Diagram. Please wrap the insulated piping end to prevent water from going inside the piping.
- If drain hose or connecting piping is in the room (where dew may form), please increase the insulation by using POLY-ET FOAM with thickness 6 mm or above.

1 SELECT THE BEST LOCATION (Refer to "Select the best location" section)

2 INSTALL THE OUTDOOR UNIT

- After selecting the best location, start installation to Indoor/Outdoor Unit Installation Diagram.
- Fix the unit on concrete or rigid frame firmly and horizontally by bolt nut ($\phi 10$ mm).
- Make sure unit install in balance level to ensure that water flow out from unit drainage hole.
- When installing at roof, please consider strong wind and earthquake.
- Please fasten the installation stand firmly with bolt, screws or nails.



3 CONNECT THE PIPING

Connecting The Piping to Indoor

For connection joint of all models
Please make flare after inserting (locate at joint portion of tube assembly) onto the copper pipe. (In case of using long piping)

- Connect the piping
- Align the center of piping and sufficiently tighten the flare nut with fingers.
- Further tighten the flare nut with torque wrench in specified torque as stated in the table.



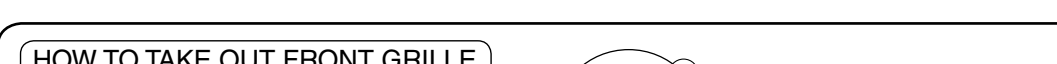
Connecting The Piping to Outdoor

Decide piping length and then cut by using pipe cutter. Remove burrs from cut edge. Make flare after inserting the flare nut (locate at valve) onto the copper pipe. Align center of piping to valve and then tighten with torque wrench to the specified torque as stated in the table.

Piping size	Torque
6.35 mm (1/4")	18 N·m (1.8 kgf·m)
9.52 mm (3/8")	42 N·m (4.3 kgf·m)
12.7 mm (1/2")	55 N·m (5.6 kgf·m)
15.88 mm (5/8")	65 N·m (6.6 kgf·m)
19.05 mm (3/4")	100 N·m (10.2 kgf·m)

5 CONNECT THE CABLE TO THE OUTDOOR UNIT

- Remove the control board cover from the unit by loosening the screw.
- Connection cable between indoor unit and outdoor unit shall be approved polychloroprene sheathed 4 x 1.5 mm² (2.0HP) or 4 x 2.5 mm² (2.5HP) flexible cord, type designation 60245 IEC 57 or heavier cord. Do not use joint connection cable. Replace the wire if the existing wire (from concealed wiring, or otherwise) is too short.
- Follow the national regulation and legislation for electrical work.



- Secure the cable onto the control board with the holder (clammer).
- Attach the control board cover back to the original position with screw.
- For wire stripping and connection requirement, refer to instruction of indoor unit.
- Earth wire shall be Yellow/Green (Y/G) in colour and longer than other AC wires for safety reason.

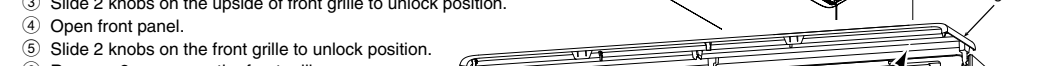
6 PIPING INSULATION

- Please carry out insulation at pipe connection portion as mentioned in Indoor/Outdoor Unit Installation Diagram. Please wrap the insulated piping end to prevent water from going inside the piping.
- If drain hose or connecting piping is in the room (where dew may form), please increase the insulation by using POLY-ET FOAM with thickness 6 mm or above.

HOW TO TAKE OUT FRONT GRILLE

Please follow the steps below to take out front grille if necessary such as when installing or servicing.

- Set the vertical airflow vane to slightly downward.
- Slide 2 knobs on the upside of front grille (left and right) away from the center to release them.
- Slide 2 knobs on the upside of front grille to unlock position.
- Open front panel.
- Slide 2 knobs on the front grille to unlock position.
- Remove 2 screws on the front grille as shown in the illustration.
- Push 2 caps upward and remove 2 screws on the front grille as shown in the illustration.
- Pull the front grille towards you to remove the front grille.



SCREW CHASSIS TO INSTALLATION PLATE

Fasten the chassis to the installation plate with screws. (Self pull screw size: M4, max. length 10 mm) to provide a neat appearance of indoor unit.



AUTO SWITCH OPERATION

The below operations will be performed by pressing the "AUTO" switch.

- AUTO OPERATION MODE
- TEST RUN OPERATION (FOR PUMP DOWN/SERVICING PURPOSE)
- HEATING TRIAL OPERATION
- REMOTE CONTROLLER RECEIVING SOUND ON/OFF



DISPOSAL OF OUTDOOR UNIT DRAIN WATER

- If a drain elbow is used, the unit should be placed on a stand which is taller than 5 cm.
- If the unit is used in an area where temperature falls below 0°C for 2 or 3 days in succession, it is recommended not to use a drain elbow, for the drain water freezes and the fan will not rotate.

CHECK THE DRAINAGE

- Open front panel and remove air filters.
- Drainage checking can be carried out without removing the front grille.
- Pour a glass of water into the drain tray-styrofoam.
- Ensure that water flows out from drain hose of the indoor unit.

EVALUATION OF THE PERFORMANCE

- Operate the unit at cooling/heating operation mode for fifteen minutes or more.
- Measure the temperature of the intake and discharge air.
- Ensure the difference between the intake temperature and the discharge is more than 8°C during Cooling operation or more than 14°C during Heating operation.

INSTALLATION OF FILTER

- Open the front panel.
- Remove the air filters.
- Put the air purifier filter into place as shown in illustration at right.

IN CASE OF REUSING EXISTING REFRIGERANT PIPING

- Observe the followings to decide reusing the existing refrigerant piping.
- Poor refrigerant piping could result in product failure.
- Pump down operation cannot be performed for the existing air-conditioner.
- Heat insulation is not provided for either liquid-side or gas-side piping or both.
- The existing refrigerant pipe has been left in an open condition.
- The diameter and thickness of the existing refrigerant piping does not meet the requirement.
- The piping length and elevation does not meet the requirement.
- Perform proper pump down before reuse piping.
- In the circumstances listed below, clean it thoroughly before reuse.
- Pump down operation cannot be performed for the existing air-conditioner.
- The compressor has a failure history.
- Oil color is darkened. (ASTM 4.0 and above)
- The existing air-conditioner is gas/oil heat pump type.
- Measure the temperature of the intake and discharge air.
- If there is a welded part on the existing refrigerant piping, conduct a gas leak check on the welded part.
- Replace deteriorated heat insulating material with a new one.
- Heat insulating material is required for both liquid-side and gas-side piping.

Insulating Pump Down Method

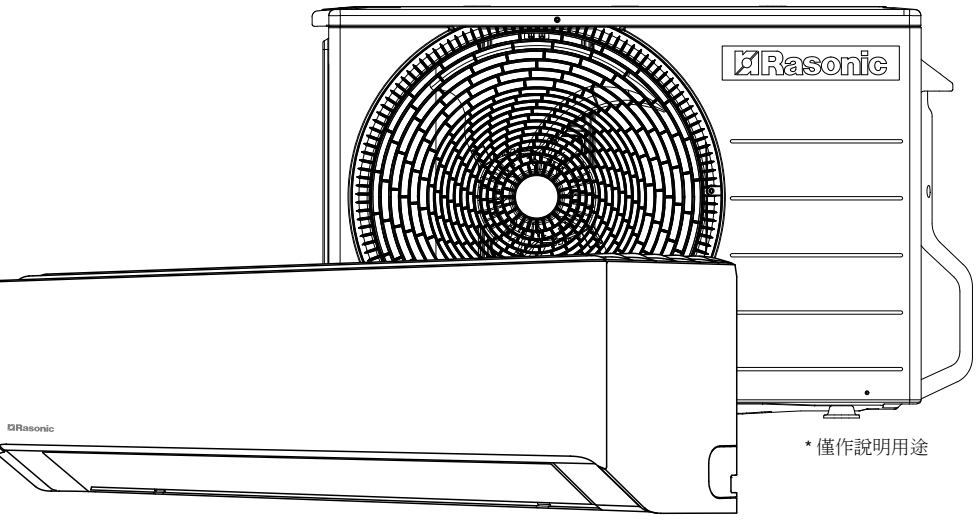
- Operate air conditioner at cooling mode for 10 - 15 minutes.
- After 10 - 15 minutes of pre operation, close 2-way valve. After 3 minutes, close 3-way valve.
- Take out air conditioner unit.
- Install New Refrigerant air conditioner.

CHECK ITEMS

- Is there any gas leakage at flare to nut connections?
- Has the heat insulation been carried out at flare nut connection?
- Is the connection cable being fixed to terminal board firmly?
- Is the connection cable being clamped firmly?
- Is the drainage ok? (Refer to "Check the drainage" section)
- Is the indoor wire connection properly done?
- Is the indoor unit properly hooked to the installation plate?
- Is the power supply voltage complied with rated value?
- Is there any gas leakage at flare to nut connections?
- Is the cooling/heating operation normal?
- Is the thermostat operation normal?
- Is the remote control's LCD operation normal?

安裝說明

空調器



型號：
RS/RU-RZ18** (2.0HP)
RS/RU-RZ24** (2.5HP)

注意

R32 冷媒

此空氣調節機包含 R32 冷媒劑並利用 R32 冷媒劑進行操作。

須由具備資質的人員對此產品進行安裝或維修。

對此產品進行安裝、保養或維修之前，請參閱國家、州、地區和地方法律、條例、法規、安裝和維修手冊。

對於因詳細手冊中未描述的任何不當安裝而導致的任何事故或損壞，Rasonic 概不負責。由於不正確的安裝引起的故障也不在產品保修範圍內。

室內機或室外機顯示的符號說明。

	警告	這行號顯示這個設備使用了一種極易燃的冷媒劑。如果冷媒劑與外部點火源一起洩漏，則有可能引起。
	注意	這個符號表示應該仔細閱讀安裝手冊。
	注意	此符號表示檢修人員應參照“安裝手冊”處理此設備。
	注意	此符號表示操作手冊和/或安裝手冊中包含了信息。

安全措施

- 安裝之前請仔細閱讀此“安全措施”。
- 電氣工作必須由授權技工安裝。請務必使用有正確額定電壓的插頭與主電路。
- 請務必遵照所述注意事項，因為其重要內容與您的安全息息相關。各行號的意義如下。忽視指示造成安裝不當，可能會導致受傷或損壞，其嚴重程度如下所示。

	警告	此符號表示可能導致死亡或重傷。	應遵照的注意事項目為以下符號分類：		白色底色的符號表示被禁止的項目。
	注意	此符號表示可能只導致受傷或機件損壞。			深色底色的符號表示必須進行的項目。

• 安裝後進行運轉測試以確保一切正常操作。接著，依照使用說明書向使用者解釋操作、照顧和保養之方法。請提醒使用者妥善保存使用說明書以供將來參考之用。

如果將設備轉讓給新用户或交付給回收工廠，請務必同時轉交手冊。

警告

- 除非製造商推薦，否則切勿使用工具加速除霜過程或進行清理。任何不適宜的方法或使用不適當的材料可能導致產品損壞、破裂和嚴重損傷。
- 不要將室外機安裝在靠近陽臺的扶手。當在高級的陽臺安裝空調機時，必須注意小孩可能會爬上室外機並爬出扶手，繼而導致意外發生。
- 勿使用非指定電纜。改裝電纜、接駁電纜或延長電纜作為電源電纜。勿與其他電器共用一個插頭。接觸不良、絕緣不良或電流超額將會導致觸電或火災。
- 切勿用帶子將電源電纜捆成一捆。
- 切勿將您的手指或其他物體插入本機。高速轉動的風扇可能會導致損傷。
- 切勿坐或踩踏在本機上以免意外排氣。
- 將塑膠袋（包裝材料）遠離小孩，它可能會粘附在鼻子和嘴巴導致窒息。
- 當安裝或重新安裝空調調節機時，除指定冷媒劑外，勿讓任何物體，例如空氣等，進入製冷循環系統（導管）。空氣等的加入將會導致冷媒循環系統出現異常高壓並導致爆炸、受傷等等。
- 切勿刺穿或燃燒，因為本設備已加壓。切勿讓本設備接觸高溫、明火、火花或其他點火源。否則，可能發生爆炸，導致受傷或死亡。
- 切勿添加或更換指定類型以外的冷媒劑。這可能會導致產品損壞、破裂、損傷等。

- 對於 R32/R410A 模型，請使用 R32/R410A 冷媒劑所指定的導管、擴口螺母及工具。使用現有的 (R22) 導管、擴口螺母及工具可能會導致 (導管) 冷媒劑洩漏出現不尋常高壓，並可能造成爆炸和受傷。
- 對於 R32 和 R410A，可使用同樣的室外機擴口螺母和導管。
- 由於 R32/R410A 的工作壓力高於冷媒劑 R22 型號的工作壓力，因此建議更換室外機側的常規導管和擴口螺母。
- 如果不得重新使用導管，請參閱指示“在重新使用現有冷媒劑配管的情況下”
- 使用於 R32/R410A 的銅管厚度必須超過 0.8 mm 千萬不要使用厚度低於 0.8 mm 的銅管。
- 殘油的數量最低低於 40 mg/10 m。
- 僱用授權代理商或專人代為安裝。
- 如果用戶自行安裝不正確，將會引起漏水、觸電或火患。
- 製冷系統作業時，應嚴格按照本安裝說明進行安裝。安裝不得法將會引起漏水、觸電或火患。
- 安裝時務請使用所列之附送或指定之配件。否則這將導致本機掉落、漏水、火災或觸電。
- 安裝於堅硬和牢固得足以支撐空調調節機之重量的位置。如果堅固度不足或安裝不得法，空調調節機將會掉落和致傷人。
- 應遵循國家法規、法律及本安裝說明手冊進行電氣作業。一定要使用獨立電路和單一出口。若電路容量不夠或電線安裝出錯，會導致觸電或火患。
- 勿使用接駁電纜為室內/室外連接電纜。使用特定的室內/室外連接電纜，請參閱指示 ④ 將電纜連接至室內機，並緊緊地把室內/室外連接起來。夾緊電纜，使外力對鎖子無效。若銜接和安裝不妥，會導致銜接處發熱或產生火患。
- 電線排列須妥善安排，以避免鼠害控制板蓋。如果控制板蓋沒有完全地蓋好，它可能會導致火患或觸電。
- 強力建議為此設備安裝靈敏度 30 毫安/0.1 秒或以下的通地漏電路斷路器 (ELCB) 或殘餘電流裝置 (RCD)。否則，當設備故障或絕緣故障時，發生火災時可能會導致觸電或火患。
- 進行安裝時，請在啟動壓縮機前妥善地安裝冷媒劑導管。在沒有安裝冷媒劑導管和將閥蓋至開放位置的情況下操作壓縮機將會導致空氣被吸入。製冷循環系統出現異常高壓並導致爆炸、受傷等等。
- 在進行抽氣操作時，請在拆除冷媒劑導管之前關閉壓縮機。在壓縮機正在操作和閥在開放狀態的情況下拆除冷媒劑導管將會導致空氣被吸入。製冷循環系統出現異常高壓並導致爆炸、受傷等等。
- 根據所設定的方法使用扭力扳手鎖緊螺絲螺母。如果將螺絲螺母鎖得太緊，經過一段時間後，螺絲螺母可能會爆炸和導致冷媒洩漏。
- 安裝完畢後，確定沒有冷媒洩漏。冷媒劑一旦和火接觸可能會產生有毒氣體。
- 若在操作期間發生冷媒洩漏，請立刻進行通風。冷媒劑一旦和火接觸可能會產生有毒氣體。
- 應意識到冷媒劑不得有氣味。

- 此設備必須正確地接地。地線不可以被連接至煤氣管、水管、避雷針地線和電話線地線。否則，當設備故障或絕緣故障等情況發生時可能會導致觸電。

- ### 注意
- 勿將空調調節機安裝於易燃氣體可能洩漏之處。氣體洩漏和積存於空調調節機周圍可能會引起火患。
 - 防止液體或蒸氣進入污水坑或下水道，因為蒸氣比空氣重，可能形成窒息氣氛。
 - 進行聯管工作、重新安裝和維修冷媒劑時不要放出冷劑。
 - 小心處理液體冷劑。它可能會導致凍傷。
 - 請勿安裝本裝置於洗衣房或其他有水自天花板等滴落之處。
 - 切勿觸摸尖銳的鋸齒片以免受到尖銳部件傷害。

- 依照安裝說明書安裝排水管。
- 排水管若安裝不當，水瀉可能會弄濕房間和損壞家具。
- 選擇容易進行維修工作的安裝位置。此空調調節機安裝、檢修或維修不當可能增加破裂的風險，因而可能導致損失、損壞或受傷和/或財物損失。
- 至於電氣工作，請遵循國家法規和法律。
- 室內空調調節機的電源銜接。
請使用 3 x 1.5 mm² (2.0HP) / 3 x 2.5 mm² (2.5HP) 類型標明為 60245 IEC 57 或更重的電纜為電源電纜。用以下其中一種方法將空調調節機的電源電纜連接到地線。
• 電源應連接於容易接近的地方以便在發生緊急事故時可以容易地切斷電源。
• 某些國家禁止空調調節機永久性直接電源供應。
- 1) 用帶插頭插入插孔以銜接電源。
用有地線的合格 16A (2.0HP) 或 20A (2.5HP) 電插頭插入插孔以連接電源。
- 2) 將電源永久性銜接到電氣切割器。
用合格的 16A (2.0HP) 或 20A (2.5HP) 電氣切割器進行永久連接。而且至少有 3.0 mm 空隙的雙極開關。
- 安裝工作。安裝工作可能動用兩人。
- 確保所有通風口保持暢通無阻。

使用 R32 冷劑劑注意事項

- 請密切注意以下幾點和安裝工作程序。

- ### 警告
- 本設備應儲存、安裝并工作於通風良好的空間內，室內面積大於 A_{min} (m²) [參見表 A] 並且不存在任何連續操作的點火源。遠離明火、任何工作中的燃氣設備或任何工作中的電熱器。否則，可能發生爆炸，導致受傷或死亡。
 - 禁止在系統混合不同的冷劑劑。為安全起見，使用 R32 和 R410A 冷劑劑的型號具有不同的充填端螺紋直徑 R22 冷劑劑。
 - 因此，應事先檢查。[R32 和 R410A 的充填端螺紋直徑為 12.7 mm (1/2 英寸)。]
 - 確保無異物（油、水等）進入導管。黏貼等方式緊密封閉管口。(R32 之操作性與 R410A 相似)。
 - 而且，當儲存導管時，應通過夾緊、黏貼等方式緊密封閉管口。(R32 之操作性與 R410A 相似)。
 - 操作、維護、修理以及冷劑劑回收應根據製造商的建議，由使用現有冷劑劑方面經過培訓和認證的人員處理。在設備的系統或相關部分上進行操作、維修或維護的任何人員都應該經過培訓和認證。
 - 製冷迴路（蒸發器、空氣冷卻器、AHU、冷凝器或液體接收器）或管道的任何部位不應位於熱源、明火、操作燃氣器具或工作中心熱源附近。
 - 用戶所有者或授權代表應按照國家規定的要求，至少定期每年檢查一次報警器、機械通風器和探測器並確保其正確運作。
 - 應保持日記更新。檢查結果應記錄在日記中。
 - 應檢查佔用空間內的通風情況，並確認沒有障礙物。

- 在使用新的製冷前，負責系統運行者應確保經過培訓和認證的操作人員根據說明手冊對冷劑劑系統進行施工、監理、運行和維護，以及要遵守所有安全措施，以及所使用的冷劑劑的特性和處理。
- 培訓和認證人員的一般要求如下：
a) 了解有關可燃性冷劑劑的立法、法規和標準。以及，
b) 擁有處理可燃性冷劑劑、個人防護設備、防止冷劑劑洩漏、處理鋼瓶、充電、洩漏偵測、回收和處置方面的詳細知識和技能。以及，
c) 理解有關國際國家立法、法規和標準的要求。以及，
d) 持續進行定期和進一步的培訓，以確保持續持有專業知識。
- 應妥善安裝佔用空間內的空調調節管，以免操作和維修時造成意外損壞。
- 應採取措施避免冷劑劑導管發生過度振動或跳動。
- 應為保護裝置。製冷管道和配件提供良好保護，使其免受不良環境影響（例如，排水管積水和凍結風險或污物碎屑堆積風險）。
- 製冷系統長管道的膨脹與收縮應妥善設計並安裝牢固（妥善安裝和保護），盡可能將液體衝擊對系統造成損壞的可能性降至最低。
- 應妥善保護製冷系統，避免因移動家具或重建活動等而發生意外破裂。
- 應對室內整體管道製冷管管接頭進行氣密性測試，確保無洩漏，且在至少 0.25 倍於最大容許壓力的壓力 (>1.04 MPa，最大 4.15 MPa) 下，該測試方法應當具有每年 5 克製冷劑劑或更好的靈敏度。不應洩漏到洩漏。

- 應對室內整體管道製冷管管接頭進行氣密性測試，確保無洩漏，且在至少 0.25 倍於最大容許壓力的壓力 (>1.04 MPa，最大 4.15 MPa) 下，該測試方法應當具有每年 5 克製冷劑劑或更好的靈敏度。不應洩漏到洩漏。

注意

- #### 1. 一般
- 必須確保保管件的安裝應保持在最低限度。避免使用凹進的管道，不容許存在銳角彎曲。
 - 必須確保管件免受實質損傷。
 - 必須遵循國家法規、州市政規定和法律。
 - 應依照所有適用法規通知有關當局。
 - 必須確保機械連接進行保護。
 - 若需要機械通風，則通風口應不存在障礙物。
 - 當處置此產品時，務必遵循第 11 部分中的注意事項並遵循國家法規。
 - 由不同管道長度造成的冷劑劑充注必須量、測量 and 標記。始終應聯繫當地市政廳，以確保適當操作。
 - 確保所有冷劑劑充注充氣量系統充氣量應符合冷劑劑部分安裝之空間的大小而定。
 - 確保冷劑劑充注不洩漏。
 - 倘若條件容許，應確保適當的防護設備，包括呼吸防護器。
 - 應遠離所有點火源和熱熱表面暴露。

- #### 2. 檢修
- ##### 2-1. 工作人員資格
- 參與冷劑劑迴路工作介入冷劑劑迴路的任何具備資質的人員均應持有由行業認可之評估機構頒發的當前有效證書，該評估機構授權他們有能力依照業內公認的評估規範安全操作冷劑劑。
 - 必須按照設備製造商的建議進行檢修。需要其他熟練技術人員協助的保養和維修工作應當在能夠勝任可燃性冷劑劑使用的人員之監督下進行。
 - 必須按照製造商的建議進行檢修。
 - 系統由受僱於該用戶負責人的經過培訓和認證的檢修人員進行進行檢查、定期監督和維護。

- ##### 2-2. 檢查該區域
- 開始在包含可燃性冷劑劑的系統上作業之前，必須進行安全檢查，以確保將引燃之風險降至最低。
 - 對製冷系統進行檢修時，開始在系統上作業之前，必須遵循第 2-3 部分至第 2-7 部分的注意事項。

- ##### 2-3. 作業程序
- 應按照可控的程式進行作業，以便將工作期間存在可燃氣體或蒸汽的風險降至最低。

- ##### 2-4. 一般作業區域
- 應當將所進行作業之性質告知在該區域內作業的所有護人員和其他人員并予以監督。
 - 避免在有限空間內作業。務必確保遠離源頭至少 2 米的安全距離，或半徑至少半徑 2 米的自由空間區域。

- ##### 2-5. 檢查是否存在冷劑劑
- 在作業之前及作業過程中，應使用適當的冷劑劑偵測器檢測該區域。確保技術人員知曉潛在的易燃空氣。
 - 確保所使用的洩漏偵測設備適用於可燃性冷劑劑，即，無火花、充分密封或本質安全。
 - 如果發生洩漏/溢漏，應立即為該區域進行通風，保持逆風並遠離洩漏/溢漏。
 - 如果發生洩漏/溢漏，應通知洩漏/溢漏順風方向之人員、立即隔離危害區域，非授權人員不得進入該區域。

- ##### 2-6. 備有滅火器
- 若要在製冷設備或任何相關零件上進行任何高溫作業，應確保適當的滅火設備隨時可供使用。
 - 充填區域附近應配置乾粉滅火器或 CO₂ 滅火器。

- ##### 2-7. 無點火源
- 進行製冷設備安裝（涉及滅火器包含可燃性冷劑劑的任何管件）相關之作業的任何人員均不得使用任何點火源，因為這可能導致火災或爆炸風險。該人員進行此類作業時應戴吸煙。
 - 包括燃燒在內的所有可能之點火源均應遠離安裝、維修、拆卸和處理區域，因為在這些作業期間，可燃性冷劑劑可能被排放至周圍環境中。
 - 進行作業之前，應檢查設備周圍區域，確保不存在易燃危險或點火風險。
 - 應設置“禁止吸煙”標誌。

- ##### 2-8. 通風區域
- 介入該系統或進行任何高溫作業之前，應確保該區域電氣充分通風。
 - 進行作業期間應保持一定的通風。
 - 通風應當能夠安全分散任何洩漏的冷劑劑，最好將其驅散至外部環境中。

- ##### 2-9. 製冷設備檢查
- 更換電氣部件時，該電氣部件應符合預期用途并具備正確的規格。
 - 始終應遵循製造商的保養和檢修規範。
 - 如有疑問，請諮詢製造商的技術部門獲取協助。
 - 以下檢查應適用於使用可燃性冷劑劑的安裝。
- 實際冷劑劑充填量應符合冷劑劑部分安裝之空間的大小而定。
- 通風機器和出口正常工作且不存在障礙物。
- 如果使用間接製冷迴路，應檢查二次迴路是否存在冷劑劑。
- 設備標記持續可及、易辨認。應正確標記標記和標記。
- 冷劑劑導管或部件不應安裝於可能使冷劑劑部件暴露於任何在腐蝕物質的位置，除非這些部件由本質上耐腐蝕材料製成或者得到適當的防腐保護。

- ##### 2-10. 電氣設備檢查
- 電氣部件的維修和保養應包括初始安全檢查和部件檢查程序。
 - 初始安全檢查應包括但不限於：
- 電氣器已放電：應以安全方式完成放電，避免產生火花。
- 對系統進行充填、回收或排氣操作時，不存在暴露的電氣部件和電線。
- 接地連接妥善。
 - 始終應遵循製造商的保養和檢修規範。
 - 如有疑問，請諮詢製造商的技術部門獲取協助。
 - 如果存在可能危及安全的故障，則在妥善處理故障之前不得為電路接通電源。
 - 如果故障無法立即糾正，但又必須繼續操作，則應採取適當的臨時解決方案。
 - 必須通知或報告設備所有者，確保各方均已知悉。

- ##### 3. 密封部件維修
- 維修密封部件期間，在拆下密封蓋之前，應為待作業的設備斷開所有電源。
 - 如果在檢修期間必須為設備接通電源，則應在關鍵點進行持續的洩漏偵測，為潛在的危險情況提供預警。
 - 應特別注意下列情況，確保在電氣部件上進行作業時，不會變更護罩，導致保護水準受到影響。包括電纜損壞、連接過多、端子並非原裝規格、密封件損壞、密封壓蓋裝配不當等。
 - 確保裝置安裝妥善。
 - 確保密封件或密封材料未發生劣化，否則它們將不再起到阻止易燃空氣進入的作用。
 - 替換零件應依照製造商之規格。

- 備註：
- 使用玻璃膠可能抑制某些類型的洩漏偵測設備之有效性。
- 本質安全部件在作業之前不必隔離。

- ##### 4. 本質安全部件維修
- 切勿為電路施加任何固定電感負載或電容負載，除非可確保負載不會超過所用設備的容許電壓和電流。
 - 當存在易燃空氣時，本質安全部件是唯一可以進行作業的類型。
 - 試驗裝置應具備正確的額定值。
 - 僅使用製造商指定之零件更換部件。製造商未指定之零件可能導致洩漏在大氣中的冷劑劑引燃。

- ##### 5. 電纜
- 檢查以確保電纜不會受到磨損、腐蝕、超壓、振動、線路或任何其他不良環境影響。
 - 此檢查還應考慮老化或者壓縮機或風扇等持續振動源的影響。

- ##### 6. 可燃性冷劑劑之偵測
- 探測或偵測冷劑劑洩漏時，在任何情況下，均不得使用潛在的點火源。
 - 不得使用索燃燈（或使用明火的任何其他偵測器）。
 - 以下洩漏檢測方法適用於所有冷劑劑系統。
- 當使用在至少 0.25 倍於最大容許壓力的壓力 (>1.04 MPa，最大 4.15 MPa) 下具有每年 5 克製冷劑劑或更好的靈敏度的洩漏偵測設備（例如，通用嗅探器）進行偵測時，不應偵測到洩漏。
- 應使用電子洩漏偵測器來偵測可燃性冷劑劑，但是靈敏度可能不足，或者可能需要重新換車。（應當在無冷劑劑區域進行偵測設備標準。）
- 洩漏偵測設備應設置於冷劑劑燃燒下某百分比并應針對冷劑劑進行校準，並確定氣體之適當百分比 (最大 25%)。
 - 洩漏偵測設備適合與大多數冷劑劑配套使用，例如，氣泡法和螢光法。應避免使用含氯清潔劑，因為氯可能與冷劑劑發生反應并腐蝕銅管。
 - 如果懷疑存在洩漏，則應消除/熄滅所有明火。
 - 應重複此過程，直至系統內不存在任何冷劑劑。
 - 當最後進行無氯氣充填時，應將系統油壓至最大壓力，確保工作得以進行。
 - 此操作極其重要，以確保管件上之焊接作業得以進行。
 - 確保真空室出口不靠近任何潛在點火源，并確保通風良好。

- ##### 7. 排放和抽真空
- 當介入冷劑劑迴路進行檢修時或進行任何其他操作時，應遵循當規充填步驟。
 - 而且，應遵循最佳作業規範至關重要，因為可燃性是一個考慮因素。
 - 應遵照以下步驟：
- 排放冷劑劑 -> 利用惰性氣體淨化迴路 -> 抽真空 -> 利用惰性氣體淨化迴路 -> 通過切斷或焊接打開迴路
 - 應將所充填的冷劑劑回收至適當的回收鋼瓶中。
 - 應使用無氯氣排除系統內的空氣，保持空調調節機安全。（備註：OFN = 無氯氣，惰性氣體的類型）
此過程可能重要重複幾次。
• 此項任務不得使用壓縮空氣或氣。
 - 應使用無氯氣破壞系統內的真空并繼續充填直至達到工作壓力，然後排放至大氣中，再抽真空至真空，以此來完成空氣排除。
 - 應重複此過程，直至系統內不存在任何冷劑劑。
 - 當最後進行無氯氣充填時，應將系統油壓至最大壓力，確保工作得以進行。
 - 此操作極其重要，以確保管件上之焊接作業得以進行。
 - 確保真空室出口不靠近任何潛在點火源，并確保通風良好。

- ##### 8. 充填步驟
- 除常規充填步驟外，應遵循以下要求。
- 使用充填設備時，確保不會出現不同冷劑劑的污染物。
- 導管或管道應盡可能短，以將管道中所含之冷劑劑的數量減至最小。
- 應依照使用說明書將鋼瓶存放在適當位置。
- 為系統充填冷劑劑之前，應確保製冷系統正確接地。
- 充填完成時，請為系統添加標識（若無標識）。
 - 務必小心不要過度充填製冷系統。
 - 再次充填時，應在試運轉之前進行漏氣檢查。
 - 離開安裝地點之前應進行後續漏氣檢查。
 - 充填和排放冷劑劑時，靜電荷可能積累并構成危險情況。
 - 在充填/排放之前，應使容器和設備安全接地，在輸送過程中消除靜電，以避免火災或爆炸。

- ##### 9. 回收
- 執行此程式之前，技術人員須熟悉本設備及其全部詳情。
 - 建議遵循良好作業規範，所有冷劑劑均應安全回收。
 - 在執行此項任務之前，應獲取冷劑劑和冷劑劑樣本，以防再用所回收的冷劑劑之前需要進行分析。
 - 開始此項任務之前須確保電力供應正常。
a) 熟悉本設備及其操作。
b) 確保系統電氣絕緣。
c) 嘗試此程式之前應確保：
• 必要時，備有可供使用的搬運裝備，用於搬運冷劑劑鋼瓶；
• 備有所有個人防護設備并應正確使用；
• 回收過程始終要在勝任人員的監督之下；
• 回收設備和鋼瓶執行適當的標準。

- d) 如有可能，為冷劑劑系統抽真空。
- e) 若無法抽成真空，則製作管，便於從系統的各個部分排放冷劑劑。
- f) 在進行回收之前，應確保鋼瓶位於磅秤上。
- g) 啟動回收機并依照說明書進行操作。
- h) 切勿過度充填鋼瓶。（液體充填不超過容積的 80%。）
- i) 當正確充填鋼瓶並且完成該過程時，確保立即從安裝地點拆除鋼瓶和設備并關閉設備上的所有隔離活門。
- k) 回收後應清潔和檢驗，否則不得將所回收的冷劑劑充填入另一個製冷系統。
- 充填或排放冷劑劑時，靜電荷可能積累并構成危險情況。
- 在充填/排放之前，應使容器和設備安全接地，在輸送過程中消除靜電，以避免火災或爆炸。

- ##### 10. 添加標識
- 應為設備添加標識，說明設備已經停用並且冷劑劑已排空。
 - 標識應當注明日期并簽名。
 - 確保設備上貼有標識，注明設備包含可燃性冷劑劑。

- ##### 11. 回收
- 當出於檢修或停用設備之目的從系統排放冷劑劑時，建議遵循良好作業規範，所有冷劑劑均應安全排放。
 - 當將冷劑劑輸送至鋼瓶中時，應確保使用適當的冷劑劑回收鋼瓶。
 - 應確保有適當容積的鋼瓶，便於容納整個系統內充填的冷劑劑。
 - 待使用之所有鋼瓶被指定用於所回收的冷劑劑并為該冷劑劑添加標識（即，用於冷劑劑回收的特殊鋼瓶）。
 - 鋼瓶應處於正常狀態的洩漏關閉和相關關閉。
 - 為回收鋼瓶抽真空，如有可能，在進行回收之前卸卸說明書。
 - 回收設備應處於正常狀態，并隨附關於該設備的一系列說明，回收設備應適合於回收可燃性冷劑劑。
 - 此外，應備有一無經過校準且處於正常狀態的磅秤。
 - 導管應配備有無氯氣快速接頭且處於良好狀態。
 - 使用回收機之前，應檢查回收機是否處於正常狀態、已進行正常維護並且任何相關的電氣部件皆已密封，以防冷劑劑洩漏時發生引燃。
 - 如有疑問，請諮詢製造商。
 - 應使用正確的回收鋼瓶將所回收的冷劑劑退還至冷劑劑供應商，并提供相關廢棄物轉移說明。
 - 切勿在回收裝置中混合冷劑劑，尤其不要在鋼瓶中混合冷劑劑。
 - 如欲卸卸壓縮機或排放壓縮機油，應確保將其排放至可接收冷劑劑，確保洩漏油中不含可燃性冷劑劑。
 - 將壓縮機退還至供應商之前，應執行抽真空過程。
 - 應應對壓縮機機油進行電熱，以加速此過程。
 - 當從系統中排放壓縮機油時，應安全進行。

安裝時所需的工具

1 菲力螺絲起子	6 剪管器	11 溫度計	16 扭力扳手
2 水平儀	7 螺絲刀	12 高阻表	18 N·m (1.8 kg·m)
3 電鑽、空鑽 (直徑 Ø70 mm)	8 擴孔器	13 萬用電表	42 N·m (4.3 kg·m)
4 六角扳手 (4 mm)	9 漏氣偵查器	14 真空泵	55 N·m (5.6 kg·m)
5 扳手	10 帶尺	15 真空表	65 N·m (6.6 kg·m)
			100 N·m (10.2 kg·m)

附送之配件

編號	附件	數量	編號	附件	數量
1	安裝板	1	6	遙控器支架固定螺絲	2
2	安裝板固定螺絲	5	7	排水彎管	1
3	遙控器	1	8	空氣淨化過濾器	1
4	電池	2			
5	遙控器支架	1			

選擇最佳位置

室內機		室外機	
<input type="checkbox"/> 切勿將機組安裝到油煙過多的區域，如：廚房、車間等。	<input type="checkbox"/> 如果這一個天棚保護室外機以防止陽光直射或雨淋時，則應注意冷凝器的散熱不受阻礙。		
<input type="checkbox"/> 機組附近應沒有任何熱源和蒸氣。	<input type="checkbox"/> 安裝場所不要飼養動物和種植花木，因為排出的熱氣對它們有影響。		
<input type="checkbox"/> 不應有任何阻礙空氣流通的障礙物。	<input type="checkbox"/> 確保鋼瓶所示之部位離開牆壁、天花板、籬笆或其他阻礙物一段距離。		
<input type="checkbox"/> 最好安裝於可輕鬆完成排水的地方。	<input type="checkbox"/> 不要置放可能會導致散熱空氣受阻的任何障礙物。		
<input type="checkbox"/> 最好安裝於有防盜考慮的地方。	<input type="checkbox"/> 若導管長度超過 (附加氣體的導管長度)，則必須如 (表 A) 所示添加額外的冷劑劑。		
<input type="checkbox"/> 切勿將機組安裝在靠近門道的地方。			
<input type="checkbox"/> 確保鋼瓶所示之部位離開牆壁、天花板、籬笆或其他阻礙物一段距離。			
<input type="checkbox"/> 本空調機組室內機最低安裝高度應為 1.8 m。			

表 A

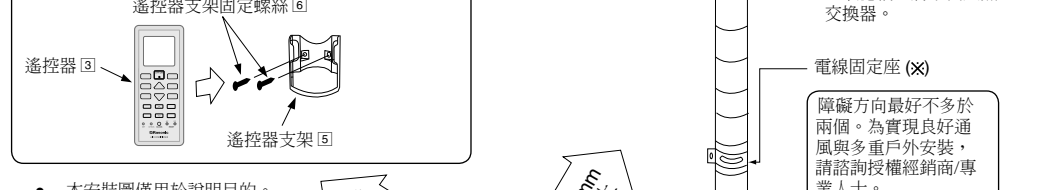
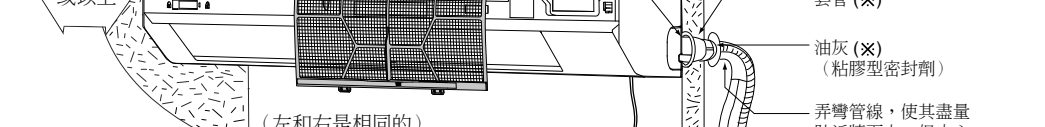
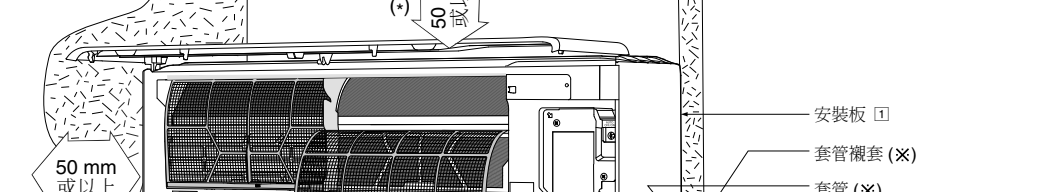
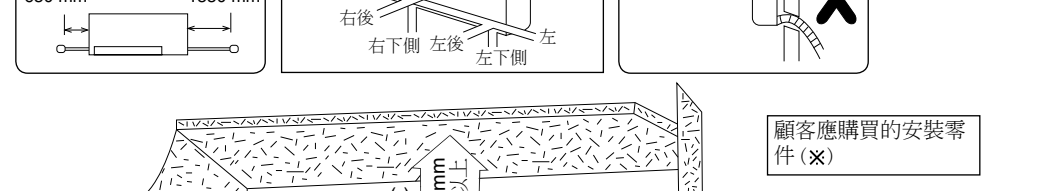
型號	容積 W (HP)	配管尺寸	標準長度 (m)	最大高度 (m)	最小管子長度 (m)	最大管子長度 (m)	補充冷劑劑 (g/m)	附加氣體所需的最大管長度 (m)	最大冷劑劑充填量 (kg)	A _{min} (m ²)	
RZ18**	2.0HP	12.70 mm (1/2")	6.35 mm (1/4")	5	20	3	30	15	10	1.40	不適用 (*)
RZ24**	2.5HP	15.88 mm (5/8")	6.35 mm (1/4")	5	20	3	30	25	10	1.81	不適用 (*)

備註：針對 RZ18**
若機組的安全距離是 15 m，額外冷劑劑的數量應該是
=> 15 m (距離) - 10 m (附加氣體的導管長度) => 5 m
=> 5 m x 15 g/m (附加冷劑劑) => [75 g]

$A_{min} = (m_c / (2.5 \times LFL))^{0.66} \times h_0^{0.2}$ ** 不小於安全係數
A_{min} = 所需最小房間面積 (m²)
m_c = 室內冷劑劑充填量 (kg)
LFL = 燃燒下限 (0.307 kg/m³)
h₀ = 設備的安裝高度 (懸掛式 1.8 m)
SF = 安全係數值 0.75

(*) => 總冷劑劑充填量 m_c 低於 1.84 kg 的系統不受任何房間面積要求限制。
** 所需最小房間面積，A_{min} 應遵循下方之安全係數公式：
 $A_{min} = m_c / (SF \times LFL \times h_0)$ 確定房間面積時應取較小值。

室內/室外裝機圖



注意：
由於溫差，底座外部會形成水滲。我們建議安裝人員在冷劑劑配管、二通閥及三通閥上增加絕緣層，以最大限度減少因底座內積聚的冷劑劑量而導致滲差。

